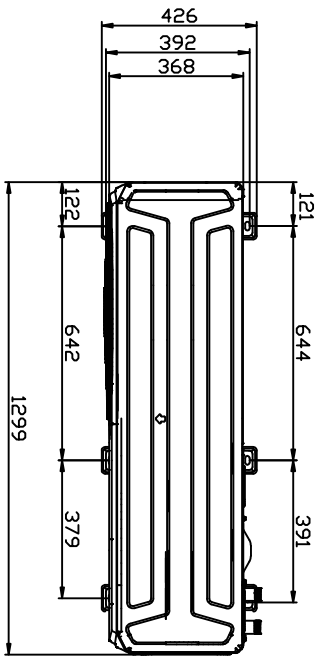
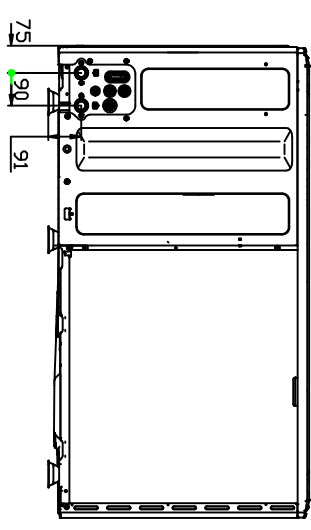
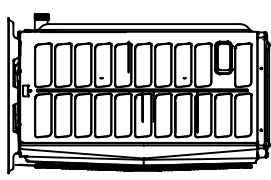
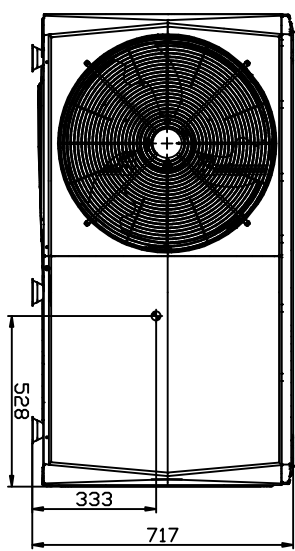
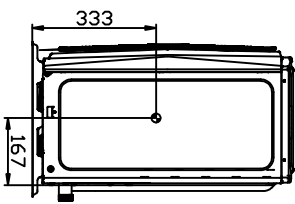


MARKER NUMBER	ECH. NO.	SIGNATURE	DATE
1			
2			
3			
4			
5			
6			
7			
8			
9			
10			
11			
12			



Application model:  
 SMHM-40P  
 SMHM-60P



SINCLAIR YUKON MONOBLOC R290		
CUSTOMER	SIGNATURE	DATE
CONFIRM		

SINCLAIR Global Group s.r.o.

