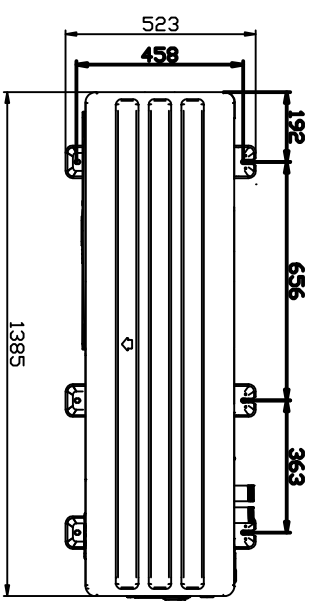
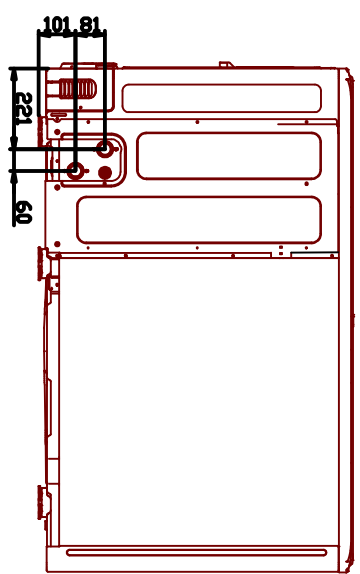
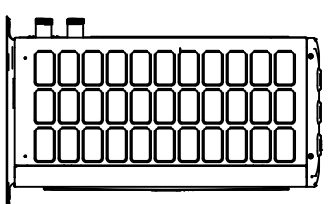
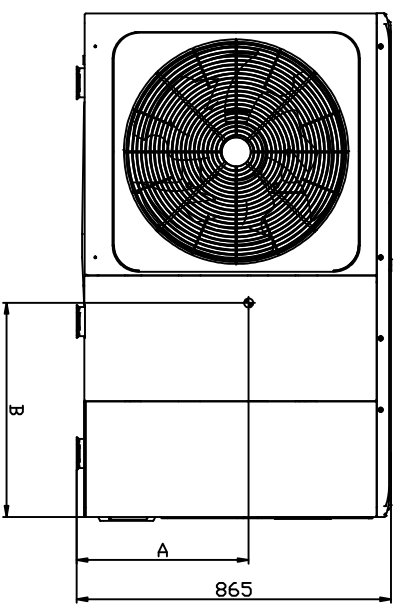
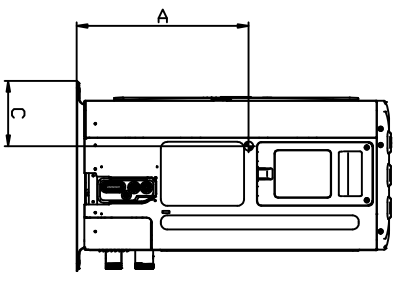


MARKER NUMBER	ECH. NO.	SIGNATURE	DATE



Model	A	B	C
SMHM-80B/3	330	580	280
SMHM-100B/3	330	580	280
SMHM-120B/3	290	605	245
SMHM-140B/3	290	605	245
SMHM-160B/3	290	605	245
SMHM-120B-3/9	200	605	245
SMHM-140B-3/9	200	605	245
SMHM-160B-3/9	200	605	245

Application model:

- SMHM-80B/3
- SMHM-100B/3
- SMHM-120B/3
- SMHM-140B/3
- SMHM-160B/3
- SMHM-120B-3/9
- SMHM-140B-3/9
- SMHM-160B-3/9



S-therm Yutkon Menoblac

CUSTOMER CONFIRM	SIGNATURE	DATE

SINCLAIR Global Group s.r.o.