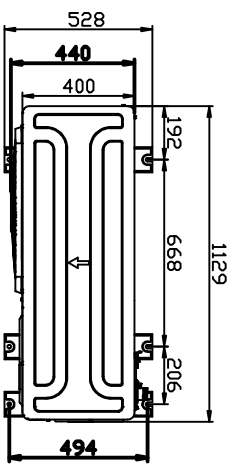
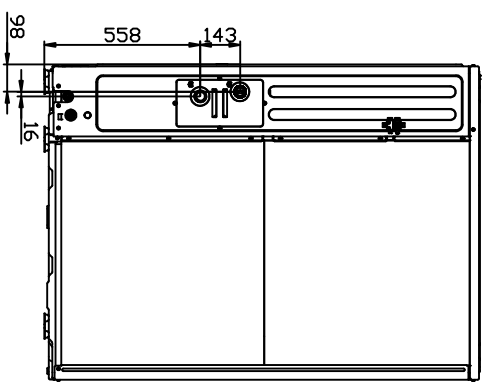
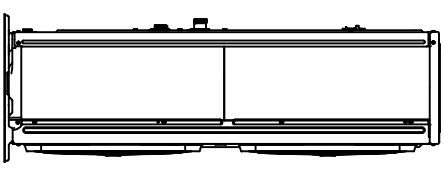
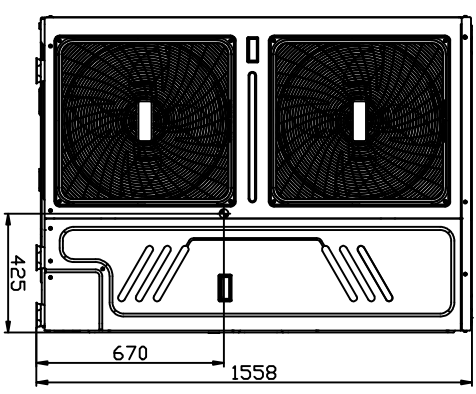
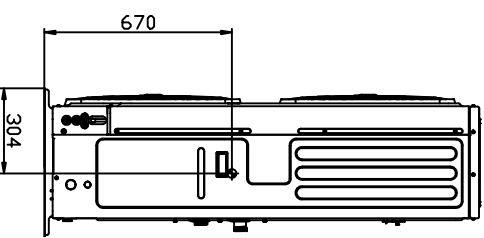


MARKET NUMBER	ECH. NO.	SIGNATURE	DATE
1			
2			
3			
4			
5			
6			
7			
8			
9			
10			
11			
12			



Application model:
 SMHM-180B-3
 SMHM-220B-3
 SMHM-260B-3
 SMHM-300B-3



S-therm Yukon Monobloc

CUSTOMER CONFIRM	SIGNATURE	DATE
------------------	-----------	------

SINCLAIR Global Group s.r.o.